

Back

- o Flat Cable Connectors SEK
- o *har-mik®*
- o D-Sub
- o InduCom

➔ Applications



## Product details

---

**09 16 108 3101**

**Female insert, Han 108 DD**

Series	Han DD®
Number of contacts	108 poles + PE
Size of hood/ housing	Han® 24 B
Termination	Crimp termination
Insert material	Standard material
Contacts	Order separately
Electrical data	10 A 250 V 4 kV 3
RoHS compliant	Yes

### Available Downloads

Title	Format	
Data sheet	PDF	↓ download
CAD data 2D	DXF	↓ download
CAD data 3D	IGES	↓ download

**Inquiry**

5

4

3

2

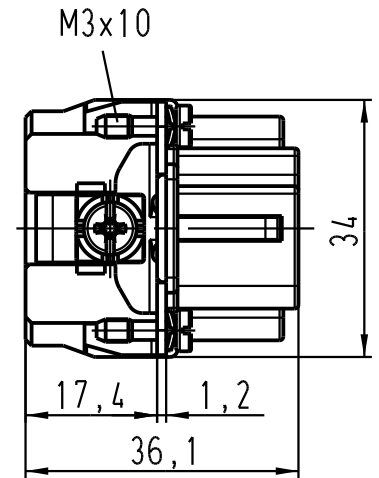
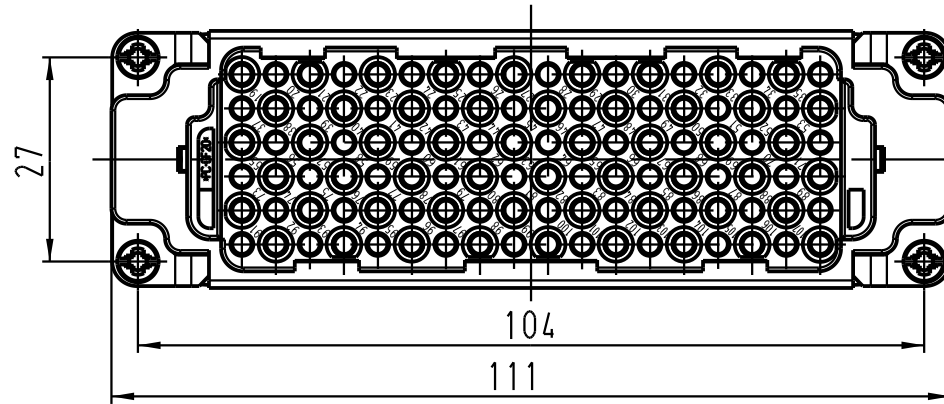
1

D

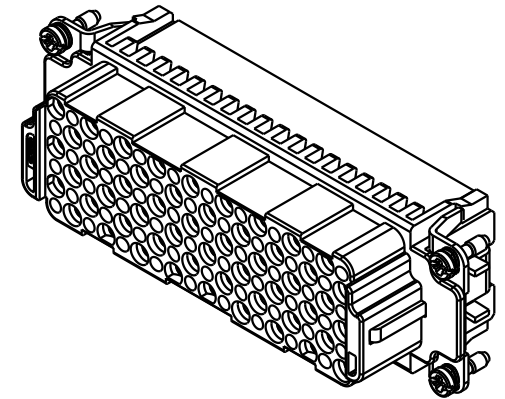
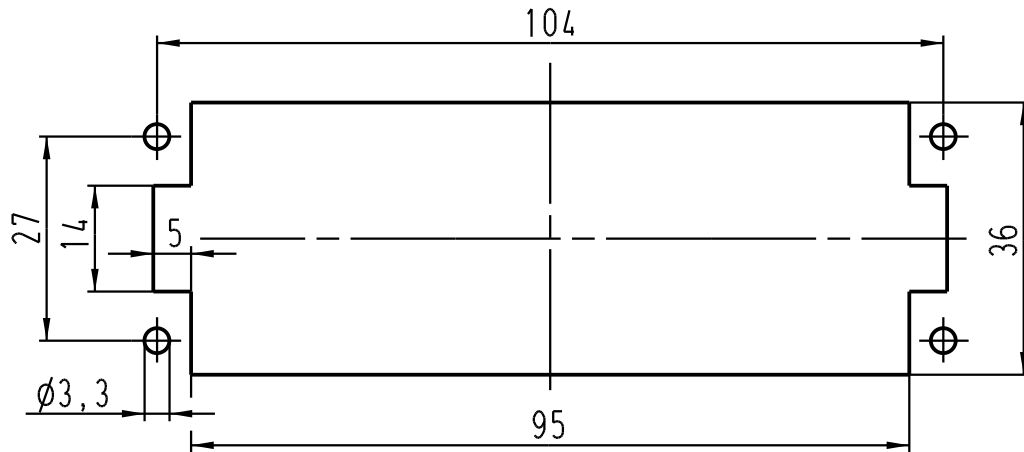
C

B

A




Montageausschnitt/  
panel cut out



All Dimensions in mm  
Original Size DIN A 4

Techn. Character.

Nicht tolerierte Masse / Free size tolerances

		Dat.	Name	Massstab / Scale  1:1
Detail.		13.10.03	Ho	
Insp.			KR	
Stand.				
410513		HARTING Electric GmbH & Co. KG D-32339 Espelkamp		
Mod.	Dat.	Name		

Han 108DD-F-c  
Buchseneinsatz / female insert

TB 09 16 108 3101

Blatt / page

Sub. TB 09 16 108 3101 v. 22.03.99